

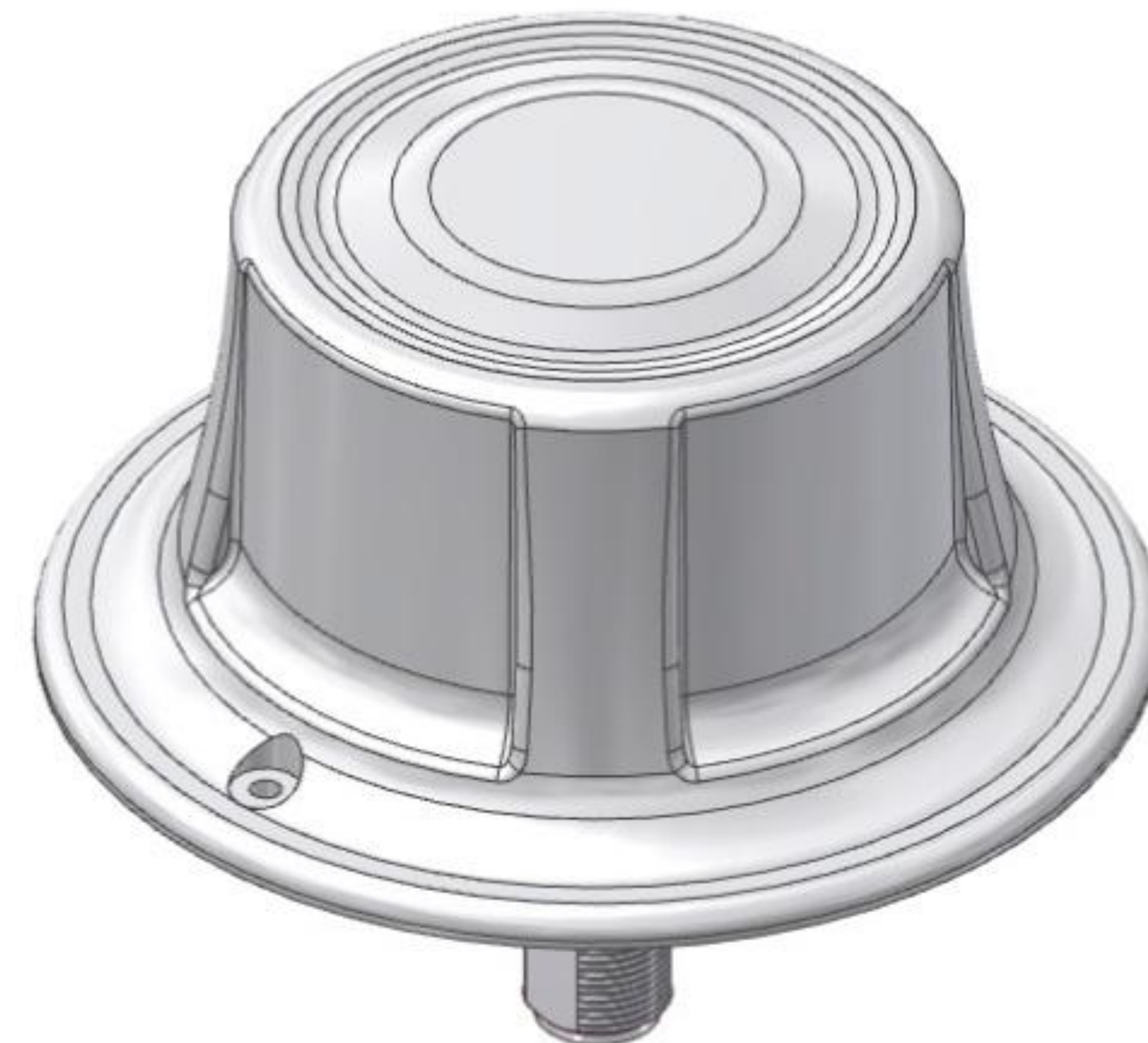
Multi-Band Omni Antenna(이통3사공용)

824 ~ 894, 1750 ~ 2400 MHz / -0.5 dBi


CPWI-IDT-01

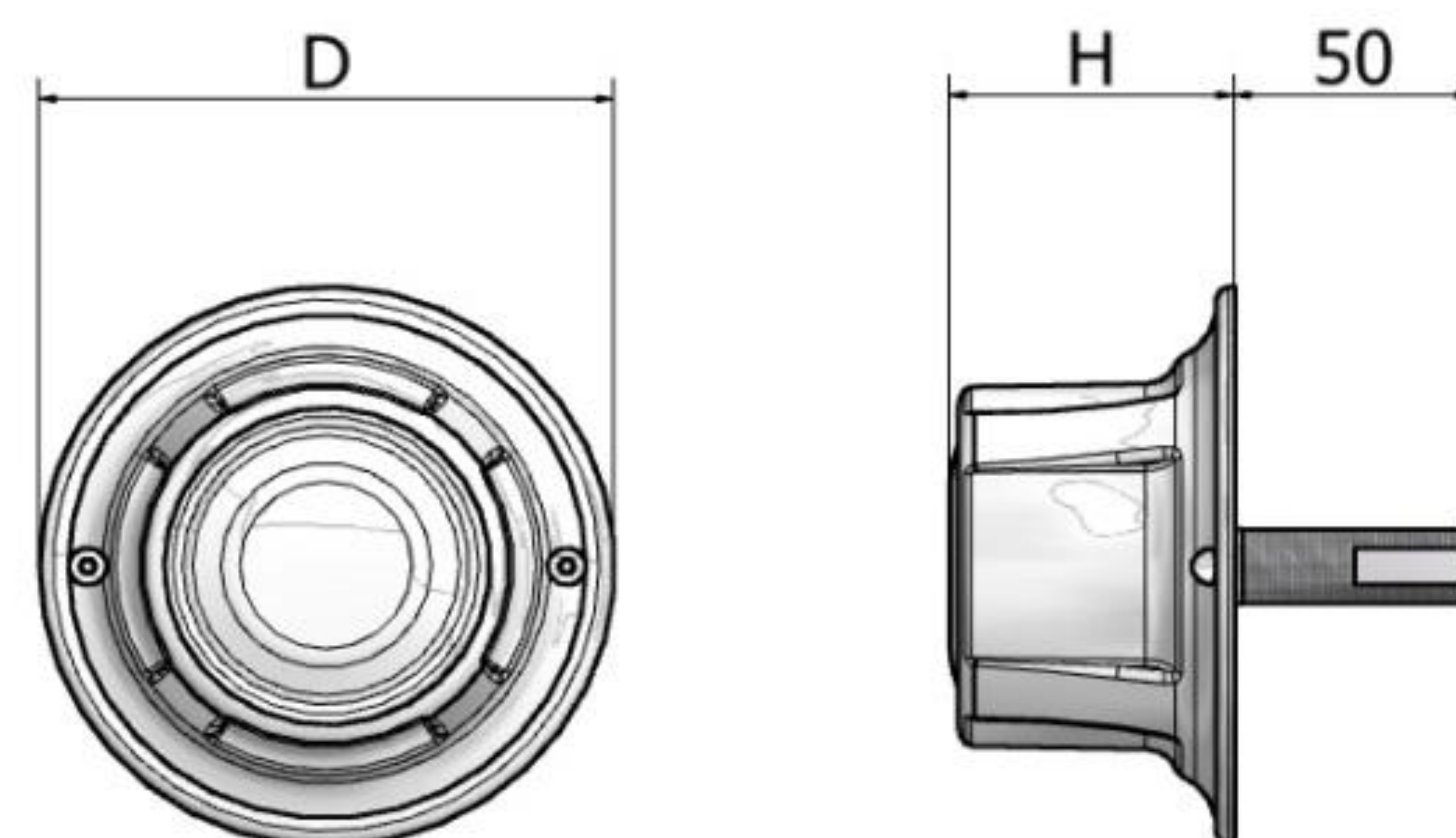
i. Electrical Specification

Frequency Range	824 ~ 894 MHz	1750 ~ 2400 MHz
Polarization	Vertical	
Band Width	70 MHz	650 MHz
Gain	≥ -0.5 dBi	≥ 1.5 dBi
Beam width	Horizontal	360°
	Vertical	85 ± 55°
F-B ratio	-	
VSWR	1 : 2.5	1 : 1.8
Impedance	50 Ω	
IMD (3rd) @ 2 x 37 dBm	≤ -140 dBc	
IMD (5th) @ 2 x 37 dBm	≤ -160 dBc	
Maximum input power	≤ 10 W	

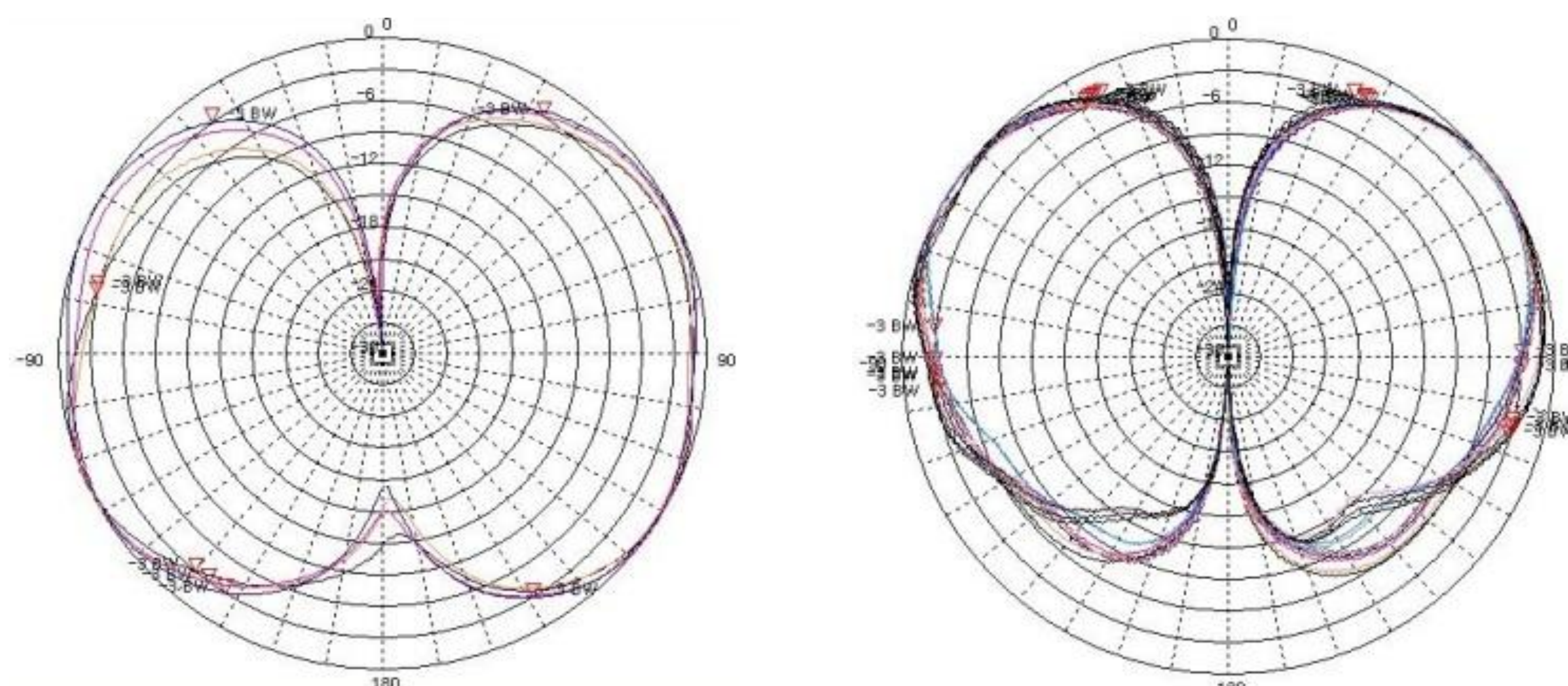


ii. Mechanical Specification

Radom Dimension (D x H)	Ø120 x 60 mm
Weight	≤ 500 g
Connector Type	N-J (Female)
Withstand Wind Pressure	60 m/sec
Radome Material	ASA
Radome Color	 Cool Gray 1C
Temperature	-40 °C ~ 70 °C
Packing Size (H x W x D) 20SET	-
Packing Weight 20SET	-



iii. Radiation Pattern



Vertical Pattern

Low Band

High Band